



A Division of Consolidated Treatment Systems, Inc.

## **OWNER'S MANUAL**

### **MODEL NUMBERS**

M-6-A  
M-8-A  
M-1050-A  
M-1200-A  
M-2000-A

Consolidated Treatment Systems, Inc.  
1501 Commerce Center Drive  
Franklin, OH 45005  
Tel: 937-746-2727  
Fax: 937-746-1446  
[www.consolidatedtreatment.com](http://www.consolidatedtreatment.com)

## **THE NAYADIC ONSITE WASTEWATER TREATMENT SYSTEM**

CONGRATULATIONS! You are the owner of a complete wastewater treatment system that combines aeration and solids separation in one compact unit. Your system is tested and certified under NSF, International, ANSI/NSF Standard 40, as a Class I system. The Nayadic system meets the needs for onsite wastewater treatment beyond the capabilities of septic tanks. Like all onsite wastewater treatment alternatives, your Nayadic unit must be operated and maintained in accordance with the Manufacturer's requirements and service provider's instructions. When properly operated and maintained, your unit will produce an effluent that meets all certification requirements.

### **HOW DOES THE NAYADIC OPERATE?**

One of the features of the Nayadic is that the entire treatment process takes place within a single tank. Wastewater flows into the tank. A compressor blows air to a diffuser that disperses the air. This process transfers oxygen throughout the system. The oxygen, which is dissolved in the water, provides an environment conducive to the growth of aerobic bacteria. These bacteria effectively consume the organic materials.

Unlike other products, Nayadic incorporates a 360° weir that encompasses the circumference of the tank. The result is efficient gravity separation of solids from the effluent.

### **IMPORTANT ITEMS TO REMEMBER**

Nayadic units have an initial break-in period of four-to-six weeks, during which time bacteria establish themselves in the unit. The development of these biological colonies occur naturally with the addition of sanitary wastes, so we recommend you use all your plumbing facilities in a normal manner from initial start-up. You may notice a tendency for the unit to foam from laundry wastes during this period. This is normal, and it should cease by the sixth week. You can help by using moderate amounts of low-sudsing biodegradable detergents. Break-in can be accelerated by "seeding," which is a process by which microbial growth is introduced from another Nayadic unit.

Nayadic units are designed to treat typical domestic wastewater. Flows from and materials in garage catch basins, storm water drains, sumps, and the like will adversely affect Nayadic operation. Excessive amounts of cleaners, solvents, paints, greases, etc., will lead to a failure and service calls.

Following these simple rules will decrease or eliminate maintenance problems and prolong the life and efficiency of your unit.

- Obtain and maintain a service agreement with an authorized Nayadic service provider.
- Check that your unit's access lid is securely tightened down.
- Check the alarm by pressing the button to activate the light and buzzer on the audio-visual alarm.

- Keep the surface water from ponding around the unit.
- Call your service provider at the first sign of trouble.
- Follow your service provider's advice. He/she is trained to ensure that your unit operates at its maximum efficiency.
- Use low-sudsing, low phosphate biodegradable detergents.
- Contact your service provider if the system is to be used intermittently or if extended periods of non-use is anticipated.
- Keep un-disposable items out of your system. These items include, but are not limited to: wet strength paper towels, disposable baby diapers, sanitary napkins, rubber and plastic products, rags, grit, and coffee grounds.
- Avoid placing grease into your system. Excessive grease may impede normal operation.
- Do not pour solvents, paints, etc., into your system. These substances will harm the bacteria.
- Always keep your compressor running unless instructed otherwise by your service provider.
- Do not service the unit yourself. Contact your service provider to maintain your Nayadic unit.

### **ALARM SYSTEM and ALARM CONDITION**

Every Nayadic unit comes equipped with an audio-visual alarm system. This alarm should be mounted in a conspicuous location. If an abnormal condition develops, you will be notified by a light and buzzer. Silence the buzzer by pressing the "silence" button on the alarm. If the light should stay on, call your service provider.

Check your audio-visual alarm periodically by holding the "test" button for approximately 10-to-12 seconds or until the light flashes and the buzzer sounds. Contact your service provider if your "test" button fails to activate the alarm.

If your alarm goes off, there are several steps you can take to determine the possible nature of the malfunction.

1. Is the alarm activated during a non-flow period, i.e., late at night, early morning? If so, the probable cause is the compressor.
2. Is the alarm activated intermittently while washing clothes or taking a shower? If so, high water may exist in the system.

## **MAINTENANCE PROGRAM**

### **YOUR NAYADIC UNIT REQUIRES PERIODIC SERVICING.**

Maintenance of your Nayadic is essential to ensure its proper operation and longevity.

During your initial two-year warranty, an authorized service representative will inspect your unit at six-month intervals and make any necessary adjustments to it at no cost to you. The only exception is for the replacement of “out of warranty” and “physically abused” parts or abuse to the treatment process. Moreover, this warranty will not cover other treatment and dispersal components and devices.

For continued service, your service provider will offer an annual service contract at the end of the warranty. Please contact your service provider for details.

In the event a problem arises or service is required, refer to the unit's data plate (located on the alarm and access lid) or the service label for instructions on contacting your closest service provider. Occasional pumping is required due to accumulation of solids. The pumping cost may not be covered under your maintenance and service program. If you need parts or service, please contact the factory for the name of the service provider nearest you.

Your Nayadic system is designed and intended to treat typical domestic wastewater (i.e., human bodily waste and liquid waste generated by the occupants of dwellings). To insure optimum performance and longevity, do not discharge any type of non-residential wastewater or other high-strength waste, including commercial food service waste, without contacting the manufacturer to determine if this will be acceptable without additional treatment.

**IMPORTANT:** Nayadic units must be installed and maintained in compliance with all state and local laws and regulations. This includes compliance with all regulations concerning proper effluent disposal and the pumping and disposal of solids and byproducts pumped from the unit.

**NAYADIC WARRANTY DOES NOT COVER THE COST OF SERVICE CALLS, LABOR, OR MATERIALS REQUIRED DUE TO THE FOLLOWING:**

1. Misuse, abuse, or any repair or alteration performed by anyone other than authorized Nayadic service provider.
2. Use of components other than authorized Nayadic replacement components.
3. Non-wastewater flows caused by infiltration, storm water connections, leakage from improperly maintained plumbing fixtures, water softener backwash, etc.
4. Failure to maintain electrical power to the treatment system in accordance with the requirements of the Manufacturer or the authorized Nayadic service provider.

5. Disposal into the Nayadic of non-biodegradable materials (i.e., plastics, coffee grounds, etc.) chemicals, solvents, grease, oil, paint, or any other substance, including but not limited to medicines, metals, toxins, volatile substances, and the like that are deleterious to the development and maintenance of the biological treatment process.
6. Short-term or daily wastewater flows to the Nayadic that exceeds the unit's hydraulic or organic design capabilities.
7. Any usage contrary to Nayadic owner's manual and/or the Nayadic representative's recommendations.

**NAYADIC MODEL SPECIFICATIONS**

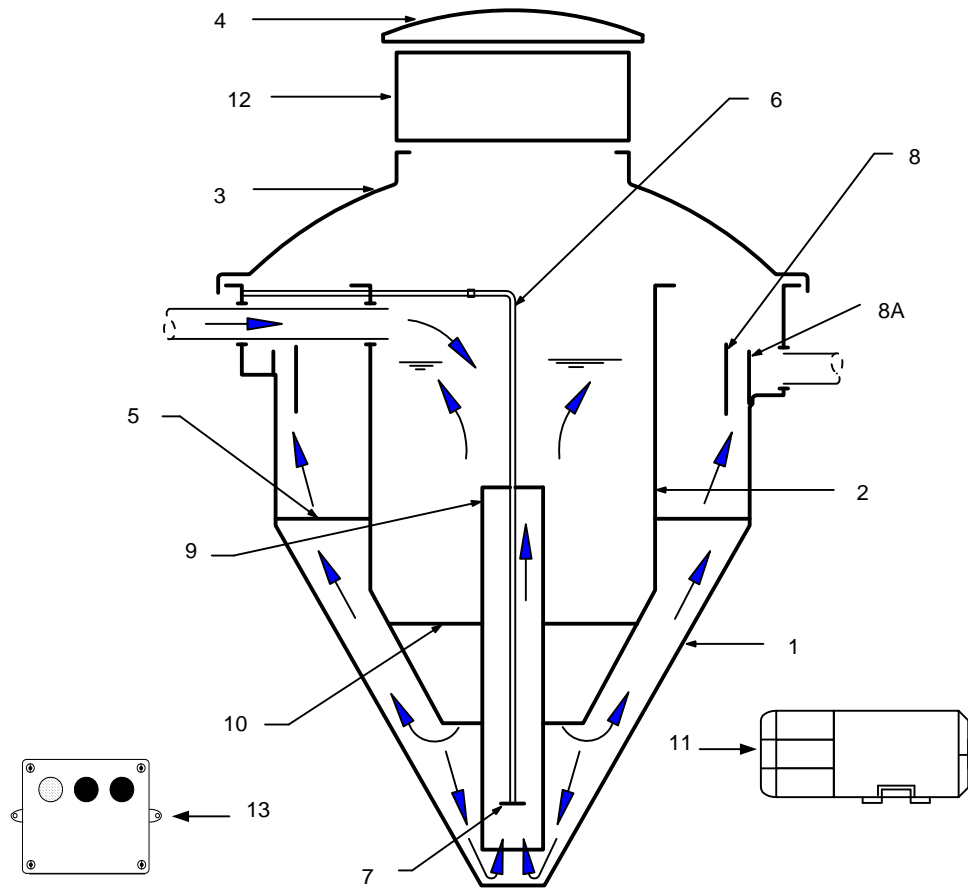
<b>Item</b>	<b>M-6-A</b>	<b>M-8-A</b>	<b>M-1050-A</b>	<b>M-1200-A</b>	<b>M-2000-A</b>
Treatment (gal/day)	500	600	750	1000	1500
Volume (gal)	600	800	1050	1200	2000
CBOD (lb/day)	1.5	2	2.4	2.5	4.2
Maximum Diameter (in)	72"	82"	82"	94"	124"x98"
Total Height (in)	93"	106"	115"	127"	135"
Shipping Weight (lb)	485	625	760	950	1180
Inlet Invert* (in)	65.5"	72.5"	80.5"	89"	96.5"
Outlet Invert* (in)	63"	70"	79"	87"	96"
* From Bottom of Excavation – See Drawings for Details					

**NAYADIC WASTEWATER SYSTEM SPECIFICATIONS**

Wastewater Treatment Performance (ANSI/NSF Standard 40 Evaluation)

<b>TEST RESULTS (Mean Results)</b>	<b>INFLUENT (mg/L)</b>	<b>EFFLUENT (mg/L)</b>	<b>REDUCTION (%)</b>
CBOD <sub>5</sub>	150	6	96
TSS	195	7	96

### NAYADIC COMPONENTS AND SPECIFICATIONS



Item.	Description	Number
1	OUTER TANK	1
2	INNER TANK	1
3	COVER	1
4	LID	1
5	INNER TANK SUPPORTS	1
6	AIR LINE	1
7	DIFFUSER	1
8	SCUM BAFFLE	1
9	OVERFLOW WEIR	1
10	RECIRCULATION PIPE	1
11	RECIRCULATION SUPPORTS	3
12	COMPRESSOR	1
13	ELECTRICAL ALARM	1

## WARRANTY

Consolidated Treatment Systems, Inc., warrants the parts in each aerobic treatment unit to be free from defects in material and workmanship for a period of two (2) years from date of installation for treatment of household wastewater when properly registered with the manufacturer. Consolidated Treatment Systems, Inc., sole obligation under this warranty is as follows: Consolidated Treatment Systems, Inc., shall fulfill this warranty by repairing or exchanging any component part, FOB Factory, that shows evidence of defects, provided said component part has been paid for and is returned through an authorized dealer, transportation prepaid. The warrantee must also notify Consolidated Treatment Systems, Inc., of the defect complained of. There is no informal dispute settlement mechanism available under this LIMITED WARRANTY.

No warranty is made as to the field performance of any unit. This LIMITED WARRANTY applies only to the parts manufactured by Consolidated Treatment Systems, Inc., and does not include any portion of the household plumbing, drainage, or installation of disposal system. Components or accessories supplied by Consolidated Treatment Systems, Inc., but manufactured by others, are warranted only to the extent of and by the terms and conditions of the original manufacturer's warranty. In no event shall Consolidated Treatment Systems, Inc., be responsible for delay or damages of any kind or character resulting from, or caused directly or indirectly by, defective components or materials manufactured by others.

Recommendations for special applications will be based on the best available experience of Consolidated Treatment Systems, Inc., and published industry information. Such recommendations do not constitute a warranty of satisfactory performance.

This LIMITED WARRANTY extends to the consumer of the product. As used herein, "consumer" is defined as the purchaser who first uses the unit or the subsequent user(s) for the 2 years after its initial installation. It is the first user's or servicing dealer's obligation to make known to the subsequent user(s) the terms and conditions of this warranty.

This warranty is a LIMITED WARRANTY and no claim of any nature shall be made against Consolidated Treatment Systems, Inc., unless and until the consumer, or his legal representative, notifies Consolidated Treatment Systems, Inc., in writing of the defect complained of and delivers the product and/or defective part(s), freight prepaid, to the factory or an authorized service station.

Consolidated Treatment Systems, Inc., reserves the right to revise, change, or modify the construction and design of the aerobic treatment units for household wastewater, or any component part or parts thereof, without incurring any obligation to make such changes or modifications in equipment previously sold. Consolidated Treatment Systems, Inc., also reserves the right, in making replacements of component parts under this warranty, to furnish a component part which, in its judgment, is equivalent to the part replaced.

UNDER NO CIRCUMSTANCES WILL CONSOLIDATED TREATMENT SYSTEMS, INC., BE RESPONSIBLE TO THE WARRANTEE FOR ANY OTHER INCIDENTAL OR CONSEQUENTIAL DAMAGES, INCLUDING BUT NOT LIMITED TO LOST PROFITS, LOST INCOME, LABOR CHANGES, DELAYS IN PRODUCTION AND/OR IDLE PRODUCTION, WHICH DAMAGES ARE CAUSED BY A DEFECT IN MATERIAL AND/OR WORKMANSHIP IN ITS PRODUCT OR PARTS. SOME STATES DO NOT ALLOW THE EXCLUSION OR LIMITATION OF INCIDENTAL OR CONSEQUENTIAL DAMAGES SO THE ABOVE LIMITATION OR EXCLUSION MAY NOT APPLY TO YOU.

THIS WARRANTY IS EXPRESSLY IN LIEU OF ANY OTHER EXPRESS OR IMPLIED WARRANTY, INCLUDING ANY WARRANTY OF MERCHANTABILITY OR FITNESS, AND OF ANY OTHER OBLIGATION ON THE PART OF CONSOLIDATED TREATMENT SYSTEMS, INC. SOME STATES DO NOT ALLOW LIMITATIONS ON HOW LONG AN IMPLIED WARRANTY LASTS, SO THE ABOVE LIMITATION MAY NOT APPLY TO YOU. THIS WARRANTY GIVES YOU SPECIAL LEGAL RIGHTS AND YOU MAY HAVE OTHER RIGHTS, WHICH VARY FROM STATE TO STATE.